

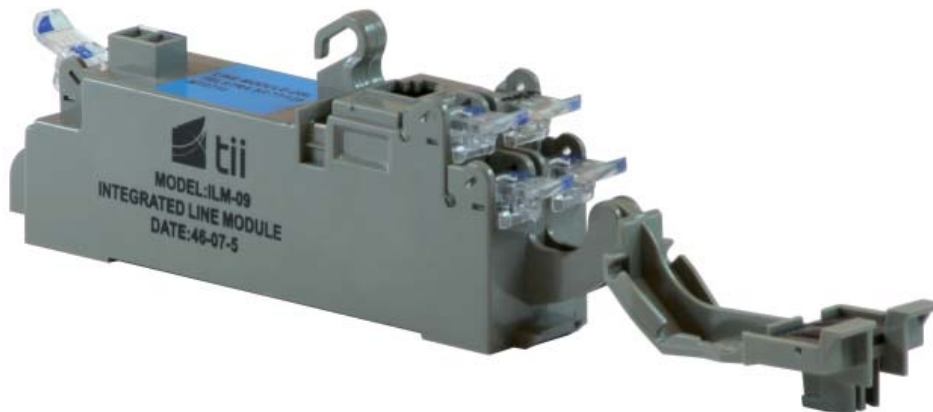
## LINE MODULE - DSL



**Part Number:** MT2711

**Telstra S/I:** 77/00125

**Description:** The MT2711 Line Module - DSL provides primary surge protection, bridging between the Telco network and the customer cabling and xDSL/POTS splitting. The module splits the combined voice and data signals carried on the Telco line providing separate outputs for both phone and data services. The ILM-09 utilizes enhanced circuit components to meet VDSL2/ADSL2+ splitter specifications for advanced data and IPTV deployments.



### Features

- Occupies Only One Position in Network Termination Device
- Meets IPTV Ring Trip Saturation Current Requirements for VDSL2 and ADSL2+ Systems Delivering IPTV Signals
- Environmentally Sealed
- IDC Terminations for DSL and Voice Signals
- Utilizes tii's Switchable RJ-11 Jack (Auto-Jack®)
- Eliminates RJ-11 Plug Maintenance Problems
- Exceeds Telcordia Severe Lightning Surge Requirements

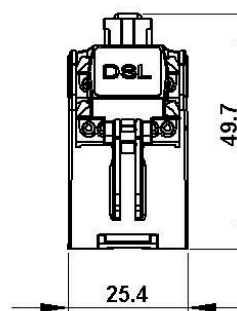
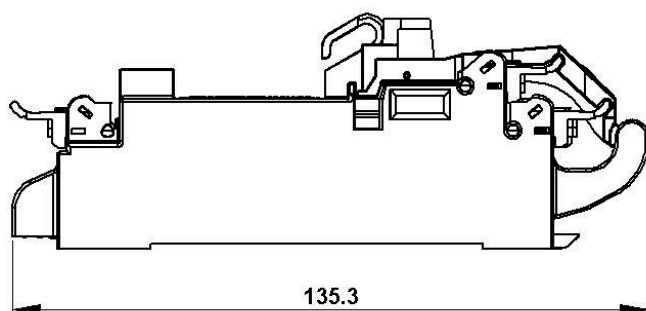
### Key Product Benefits

- Module's unique design provides protection, customer bridging and xDSL POTS splitting in one module.
- Module easily snaps in and out of the Network Termination Device (NTD) and occupies only one position, thereby not compromising the NTDs overall capacity.
- The tii splitter design makes it possible to use a single phone line to provide triple play services including VDSL2/ADSL2+ and IPTV.
- With module installed, an additional standard POTS line module is not needed.
- Module includes tii's unique patented switchable RJ-11 Jack (Auto-Jack®). The Auto-Jack® does not require an RJ-11 plug for normal operation and delivers unparalleled reliability.
- When engaged, the Auto-Jack® connects the RJ-11 test plug contacts to the Telco line for dial tone validation while disconnecting the customer cabling from the circuit.
- Module includes two sealed test points, which allows the technician to test the line while in service and also to separately test the customer wiring and the Telco wiring while a test plug is mated into the Auto-Jack® receptacle. This greatly facilitates the testing process.

### Industry Standards

- Meets Australian Standard AS/ACIF S041:2005
- Auto-Jack® assembly exceeds Telcordia GR-49-CORE requirements for severe climatic conditions.
- ANSI T1.424 Compliant to full VDSL2 30MHz bandwidth.
- Complies with Telstra D1575.
- Complies with ITU-T K.55 over-voltage and over-current requirements.

LINE MODULE - DSL



**Specifications**

<b>Electrical</b>	See Line Module - Standard Data Sheet
DC Loop Current	0 to 100 mA
DC Loop Voltage (tip-to-ring)	0 to -60Vdc
Ringing Signals	103 Vrms superimposed on the DC Loop Voltage; 20 - 30 Hz
DC Resistance	< 20 ohms, POTS tip-to-ring with Line port (U-R) shorted
Insertion Loss (Short & Long Loop)	≤ 0.5 dB
Tip-to-Ring Capacitance, POTS port	20 ≤ C ≤ 100 nF; 20 - 30 Hz
Input Impedance (Measured Level)	≤ 0.25 Db; 30 kHz - 30 MHz, ZTr = 600
Attenuation Distortion (Voice Band), increase relative to Insertion Loss at 1004 Hz	+0.7 to -0.5dB; 200 - 3.4 kHz, short loop, ZTc = 900, ZTr = 600 +0.7 to -0.5dB; 3.4 - 4.0 kHz, short loop, ZTc = 900, ZTr = 600 +0.4 to -0.5dB; 200 - 3.4 kHz, long loop, ZTc = 900, ZTr = 600 +0.5 to -0.5dB; 3.4 - 4.0 kHz, long loop, ZTc = 900, ZTr = 600
Delay Distortion (Voice Band)	< 25μs
Return Loss (Voice Band) (Short & Long Loop)	> 7 dB
Longitudinal Balance, Two Port Technique, DSL to Line Port (U - R) and Line Port (U - R) to POTS	> 60 dB; 30 - 1100 kHz > 55 dB; 1100 kHz - 30 MHz
Capacitance to Ground, POTS Port	≤ 1.0 nf; 20 - 30 Hz
DSL Band Attenuation	> 65 dB; 30 kHz - 30 MHz
DC Current Influence (Ring Trip)	< 2% up to 300 mA
Inter-modulation Distortion (MTPR)	30 kHz - 30 MHz
<b>Environmental</b>	
Lightning Surge	GR-1089 CORE Level 1 and Level 2 Surge
Power Cross	GR-1089 CORE First and Second Level AC Power Fault Immunity
Operating Temperature	-40 to +65 °C (-40 to 149 °F)
Relative Humidity	0 to 95%, non-condensing
UL Listed	As a communication circuit accessory

Part Number	Description
MT2711	Line Module - DSL, VDSL2/ASDL2+ POTS Splitter
Standard Package:	20 Pieces
Weight:	121g each