

LINE MODULE - STANDARD



Part Number: MT2712

Telstra S/I: 77/00126

Description: The Line Module - Standard provides primary surge protection, bridging between the Telco network and the customer cabling, and is environmentally protected and designed to be compatible with Network Termination Device MT2710.



Features

- Exceeds Telcordia Severe Lightning Surge Requirements
- Patented Auto-Jack® Technology
- Offered With Optional Electronics (to be specified by the Telco)
- Environmentally Sealed IDC Terminations
- Easy To Use Rocker Terminations (tool-less)
- Sealed Test Point Contacts

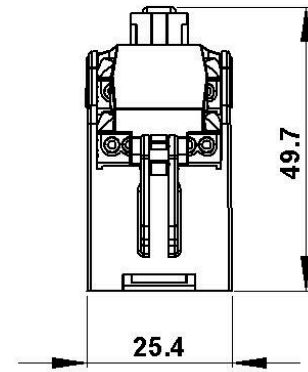
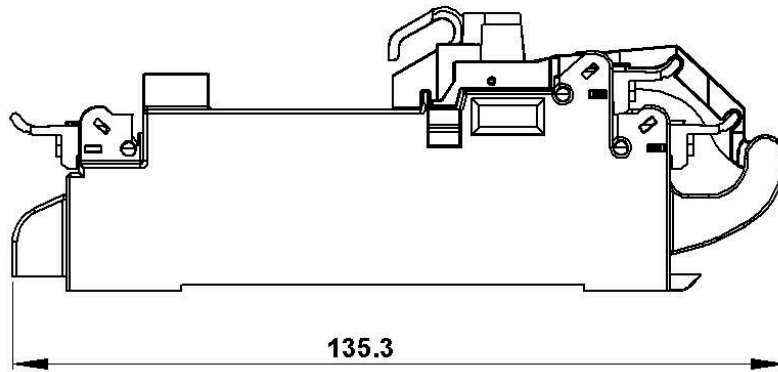
Key Product Benefits

- Module's unique design provides surge protection, network/customer bridging and star wiring facilities in one module
- Internal connections and the RJ-11 jack are protected from moisture and other contaminants.
- Customer wire connections utilize gel-sealed IDC (Insulation Displacement Connection) terminations which accept 0.4mm to 0.64mm solid copper wire.
- Includes four sealed IDC customer connection ports, with each port independently terminating one cable pair.
- Each customer pair can be terminated without disturbing previous connections.
- Convenient rocker feature enables technician to terminate customer cabling without the use of tools.
- Clear IDC rockers enable easy visual connection verification.
- Module includes tii's unique patented switchable RJ-11 Jack (Auto-Jack®). The Auto-Jack® does not require an RJ-11 plug for normal operation and delivers unparalleled reliability.
- When engaged, the Auto-Jack® connects the RJ-11 test plug contacts to the Telco line for dial tone validation while disconnecting the customer cabling from the circuit.
- Module includes two gel-sealed test points that can accommodate voltmeter test probes or a standard hand telephone test set with small alligator type clips, which allows the technician to test the line while in service and also to separately test the customer wiring and the Telco wiring while a test plug is mated into the Auto-Jack® receptacle. This greatly facilitates the testing process.

Industry Standards

- Meets "Severe and Flooded" requirements of Telcordia GR-49 CORE and TR-NWT-001195.
- Exceeds Telcordia GR-49 CORE requirements for severe climatic conditions.
- Complies with Telstra D1575.
- Complies with ITU-T K.55 Over-voltage and Over-current requirements

LINE MODULE - STANDARD



Specifications

DC Breakdown Voltage (L-G) @ 2000 V/sec:	440-660Vdc
Impulse Reset: 135Vdc @200mA:	<150 ms
Maximum Single Impulse Discharge Current:	20kA
8/20 waveform:	10kA/Side Simultaneously
Impulse Life	
10Amp,10/1000µsec waveform:	1500 Surges Minimum
100Amp,10/1000µsec waveform:	100 Surges Minimum
300Amp,10/1000µsec waveform:	50 Surges Minimum
AC Discharge Current	
10Amp, 1 Second:	20 Operations Minimum
1Amp, 1 Second:	60 Operations Minimum
Capacitance (L-G):	10 pF Typical
Climatic Cycling Withstand:	-100 C to +700 C with 50 Volts DC Bias
Insertion Loss 0.5 – 10MHz:	0.000 dB to 0.001 dB
Return Loss 0.5 – 10MHz:	-52 dB to – 30 dB
Impulse Breakdown voltage (L-G)	
@ 100V/µsec. 700V Typical:	900V Maximum
@1KV/µsec.:	1000V Maximum
Insulation Resistance	
@50Vdc, 10MA:	100 Megohms Minimum

Part Number	Description
MT2712	Line Module - Standard
Standard Package:	20 Pieces
Weight:	114g each