

The mRDC Dome by Madison is a rapid deployment camera with integrated communications and power.

The mRDC Dome is a portable camera solution that can be utilised in a variety of day/night applications where power and communications infrastructure is not available.

Integrated with MOBOTIX cameras, and with smart power management/monitoring, solar charging, one person installation and remote access, the mRDC is portable surveillance done smarter.

### Key Features

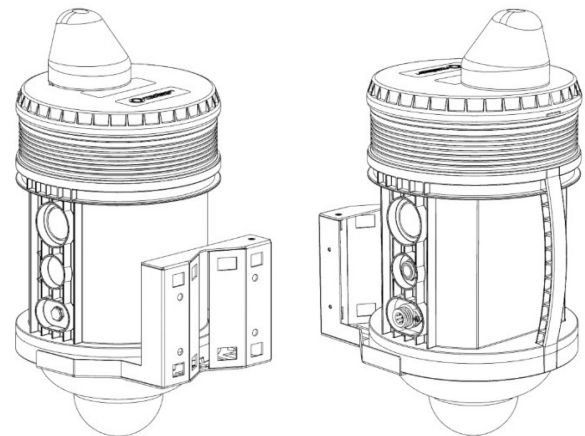
- Integrated communications 3G/4G Wi-Fi Router
- Smart power management/monitoring
- 33 Ah – 14.8 V Lithium-ion battery
- Rapid deployment designed for one person installation
- Visual notification of operation
- Accidental On/Off switch tamper protection
- 12/24 VDC power terminal to power other devices
- Solar charger



## Specifications

Physical Characteristics	
Dimension	mRDC: 265mm x 265mm x 420mm (WxHxL) mRDC with mounting bracket: 312mm x 265mm x 420mm (WxHxL)
Weight	4.7 Kg mRDC unit, 1.5 Kg Mounting bracket
Material - mRDC/Bracket	ASA Plastic/SS316
IP Rating	IP65
Pole Mounting	70-300mm
Ambient Temperature Range	-20 to 55°C

Electrical Characteristics	
Input Voltage	10 – 40 VDC (12 – 24 VDC Nominal)
Battery	14.8V (33Ahr / 488.4W) Li-ion
AC/DC Power Supply	6.3A@24VDC (150W) IP67
Sleep Mode Power Consumption	< 1mA



Connectivity	
3G/4G	Cat 4 3G/4G dual SIM modem
Wi-Fi	802.11b/g/n 2.4GHz

Warranty	
Warranty Period	1 year

# mRDC Solar Panel

It is recommended that the mRDC 160 Watt Solar Panel is used in conjunction with the mRDC unit, in areas when A/C power is not available to trickle charge the mRDC battery system.

The solar photovoltaic modules built into the panel, consist of a series of electrically interconnected crystalline silicon solar cells, which are permanently encapsulated between a low iron toughened glass supersaturate and substrate.

The entire laminate is secured within an anodized aluminium frame for structural strength; ease of installation and to protect the cells from the most severe environmental conditions.

Like the mRDC, the mRDC Solar Panel can be mounted to the wall or pole – with the stainless steel mounting frame, pole mounting support arm, and mounting kit which includes stainless steel bands (090-120mm).

## Solar Panel – Physical Characteristics

Panel Dimension	1475 mm (l) x 670 mm (h) x 35 mm (d)
Panel Weight	12 Kg
Panel Construction	High efficiency mono-crystalline silicon solar cells with low iron, high transmission glass
Panel Frame	Strong, robust and corrosion-resistant aluminium

## Typical Electrical Characteristics

Rated Maximum Power-Pmax	160 Wp
Power Tolerance	±3%
Maximum Power Voltage-Vmp	17.8 V
Maximum Power Current-Imp	8.99 A
Open Circuit Voltage-Voc	22.3 V
Short Circuit Current-Isc	9.71 A
Solar Cell Technology	Mono-crystalline
Junction Box	IP65
Operating Temperature	-40°C ~ +85°C

## Solar Lead Cable Adapter Specifications

Cable Length	3 m
Current Rating	10 A
Conductor	16/0.30 mm
Area	113 mm <sup>2</sup>
Dimensions	3.7 mm (h) x 6.0 mm (w)
Connector - 7 Pin Female IP67	14 A

# Ordering & Support Products

Part Number	Description
mRDC Dome	Cellular 3G/4G mRDC Dome - with mounting bracket, power supply and Mobotix D16 Dual lens IP Camera fitted
<b>Accessories</b>	
mRDC A BPM	Additional Pole Mount Bracket
mRDC A HARDCASE	Lightweight, waterproof Carry Case
mRDC A EXTPWR	mRDC User Power Output - 12 & 24v
mRDC A EXTRJ45	mRDC Extra RJ45 outlet
<b>Solar Panel and Accessories</b>	
mRDC Solar Kit	160W Solar Panel with pole mounting kit with support arm and Connection Cable
mRDC A SPM	Additional Pole Mount Bracket for mRDC Solar Panel
mRDC A SOLCBL	Connection Cable for mRDC to Solar Panel



mRDC Dome



mRDC Solar Kit



Mobotix D16 Dual lens camera

Sales Enquiries 1800 72 79 79  
www.madisontech.com

DESIGNED BY



madison  
technologies