

MDU Fibre Optic Splitter Enclosure.

MADE BY



madison
Technologies

DATA SHEET

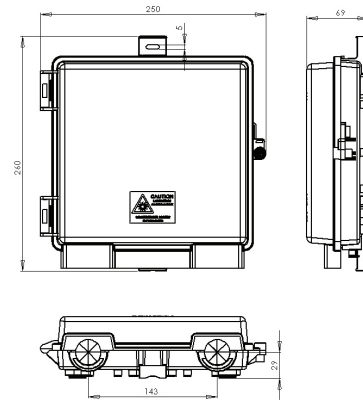
Summary of Benefits

The MDU Fibre Optic Splitter Enclosure is a modular enclosure system catering for multiple optical splitter configurations and is suitable for indoor and outdoor applications.

The fibre cassette provides installers with various pre-terminated optical splitter options.

Features

- IP54 Enclosure for indoor/outdoor applications
- Compact fibre management enclosure
- Plug 'n' play Optical Splitters up to 2:16
- 8 or 12 Fibre MPO to SC/APC Fanout
- Excess cable storage
- Easy access for connector inspection and cleaning



Specifications

Enclosure	
Dimensions	250mm W x 260mm H x 69mm D
Max Cable Diam	20mm
Colour	Grey - RAL 7038
Material	PVC
Flammability	UL94V-0
Door Access Screw	M4 Torx post, 304 SS
Weight	765g

Optical Splitters

Split Ratio	1x2	2x2	1x4	2x4	1x8	2x8	1x16	2x16
Wavelength (nm)	1260 ~ 1650							
Insertion Loss (dB)	3.8	4.1	7.1	7.4	10.2	10.5	13.5	14.0
Uniformity (dB)	0.8	0.8	0.8	1.0	0.8	1.2	1.0	1.5
Return Loss (dB)	55	55	55	55	55	55	55	55
PDL (dB)	0.15	0.2	0.2	0.2	0.2	0.3	0.3	0.3
Directivity (dB)	55	55	55	55	55	55	55	55
Fiber Type	G657.A1 or G657.A2							
Connector Type	SC/APC							
Operating Temperature (°C)	-40 ~ +85							
Storage Temperature (°C)	-40 ~ +85							

MPO-SC/APC Breakout	
MPO Insertion Loss	<= 0.7dB (1310/1550nm)
Return Loss	>= 60dB (1310/1550nm)
Fibre Specification	G657.A2
Operating Temperature	-25 ~ +70°C
Storage Temperature	-40 ~ +70°C

Ordering Details

Optical Splitters - Part Number	Description
MTF SPU16-10200	Splitter FO 1:2 SC/APC PVC Wall Encl
MTF SPU16-10400	Splitter FO 1:4 SC/APC PVC Wall Encl
MTF SPU16-10800	Splitter FO 1:8 SC/APC PVC Wall Encl
MTF SPU16-10408	Splitter FO 1:4+1:8 SC/APC PVC Wall Encl
MTF SPU16-11600	Splitter FO 1:16 SC/APC PVC Wall Encl
MTF SPU16-20200	Splitter FO 2:2 SC/APC PVC Wall Encl
MTF SPU16-20400	Splitter FO 2:4 SC/APC PVC Wall Encl
MTF SPU16-20800	Splitter FO 2:8 SC/APC PVC Wall Encl
MTF SPU16-21600	Splitter FO 2:16 SC/APC PVC Wall Encl
MPO Breakouts - Part Number	Description
MTF BOEM8	B/O MPO to 8 x SC/APC PVC Wall Encl
MTF BOEM12	B/O MPO to 12 x SC/APC PVC Wall Encl