

HELI-31

ANTENNAS | HELI-31 SERIES

ULTRA-WIDEBAND UNI-DIRECTIONAL HIGH GAIN MINE/TUNNEL ANTENNA

DIRECTIONAL 1710 – 7200 MHZ CIRCULAR POLARIZED ANTENNA



- Ultra-wideband circular polarised
- Wi-Fi 6 (802.11ax) & LTE/4G/5G
- Circular Polarised HELI antenna provides enhanced signal propagation and connection stability within a tunnel.
- Left-Hand Circular (LHC) & Right-Hand Circular (RHC) polarised.
- Uni-directional – radiates in one direction in a tunnel.
- Ruggedized & water ingress protected.
- Ideal for Mining & Tunnel M2M and IoT deployments



APPLICATION AREAS

Product Overview

This high gain Ultra-wideband directional antenna compliments our MinePoynt mine and tunnel antennas.

The HELI-31 forms part of a series of MiniHELI antennas. These antennas are only mini in size relative to their bigger brothers which makes these antennas ideal for mining tunnels where IoT/M2M connectivity is deployed and can also be used for coverage into the stopes.

The HELI-31 Ultra-Wideband antenna, radiating in one direction (i.e. Uni-directional), which make them ideal for the coverage from 1710-7200 MHz. These antennas are typically used for the deployment of IoT within the tunnel to provide telemetry and mine automation. This wide-band helical antenna propagates around tunnel bends in a Non-Line of Sight scenario and provides immunity to many of the signal disrupting objects such as trains and drilling machinery which appear to obscure the tunnel.

Features

- Proven antenna performance giving maximum range.
- Ideal where other devices used polarisation could change.
- High gain over the 1710 – 7200 MHz range.
- Intrinsically safe version available.

Application Areas

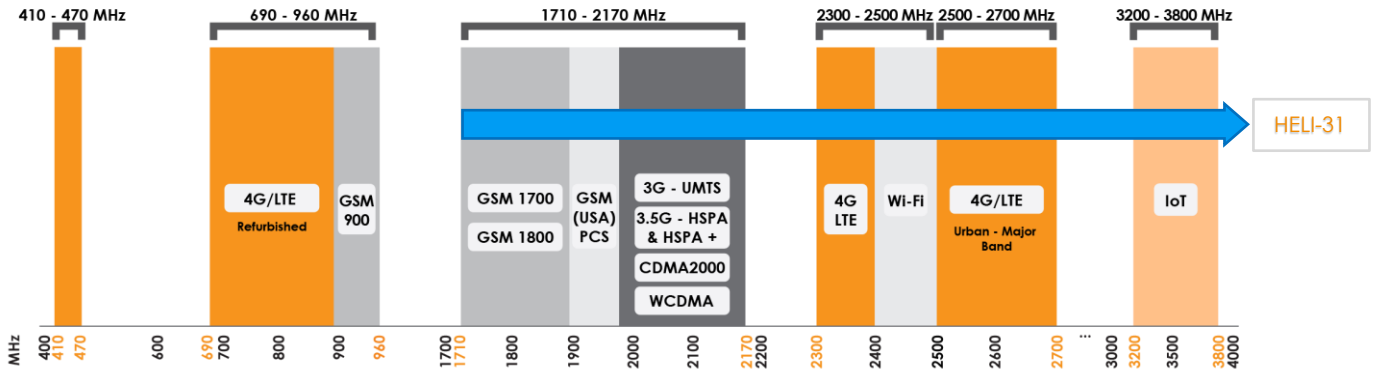
- Supplementing fibre /cable networks "Hotspots" to areas to enhance mobility or extend networks to inaccessible areas such as mines and tunnels.
- Underground telemetry.
- Creating of complete underground in tunnel wide data networks and internet/LTE and Wi-Fi connectivity.
- Seamless connection to personnel using cellular phones and smart devices and tablets.



HELI-31

Frequency Bands

The HELI-31 is a wideband antenna that works from 1710 -7200 MHz



Indicates all the bands on which HELI-31 works

Antenna Overview

Ports	1
SISO / MIMO	1 x SISO
Frequency Bands	1710 MHz – 7200 MHz
Peak Gain	9.5 dBi
Connector Type	N-Type Male

Electrical Specifications

Frequency bands:	1710 – 7200 MHz
Gain (max):	9.5 dBi
VSWR:	<1.75:1
	Over 90% of the band
Feed power handling:	30 W
Input impedance:	50 Ohm (nominal)
Polarisation:	Circular Polarised
Coax cable loss:	1.96 dB/m
DC short:	No

Coax Cable & Connector Type

Cable length:	350 mm
Coax cable type:	RG 58
Connector type:	N-Type (Male)

**The coax cable & connector is factory mounted to the antenna*

Product Box Contents

Antenna:	A-HELI-0031-V-01
----------	------------------

Ordering Information (for Right Hand Circular)

Commercial name:	HELI-31
Order product code:	A-HELI-0031-V2-01-R
EAN number:	6009710920435

Ordering Information (for Left Hand Circular)

Commercial name:	HELI-13
Order product code:	A-HELI-0031-V2-01-L
EAN number:	6009710920411

Mechanical Specifications

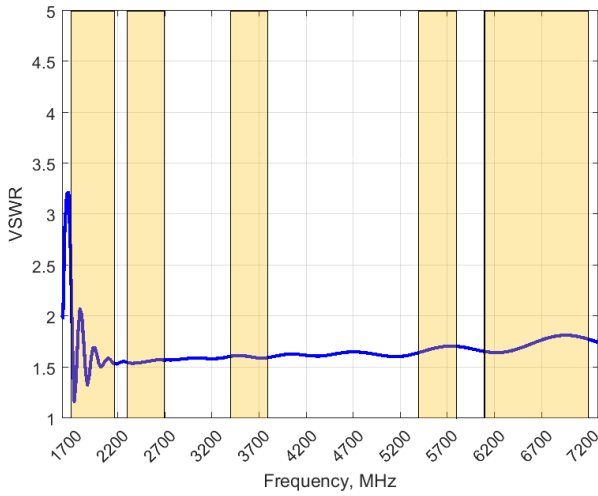
Product dimensions	± 411 mm x 142 mm x 114 mm
Packaged dimensions:	450mm x 165mm x 140mm
Weight:	1.20 kg
Packaged weight:	1.6 kg
Radome material:	ABS & PVC
Radome colour:	Grey
Mounting Type:	Ceiling mounted

Environmental Specifications, Certification & Approvals

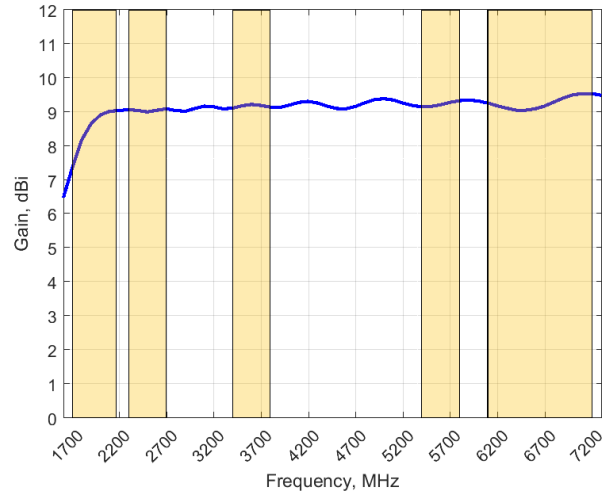
Wind Survival:	<120 km/h
Temperature Range (Operating):	-40°C to +70°C
Environmental Conditions:	Outdoor/Indoor
Water ingress protection ratio/standard:	IP 65
Salt Spray:	MIL-STD 810F/ASTM B117
Operating Relative Humidity:	Up to 98%
Storage Humidity:	5% to 95% - non-condensing
Storage Temperature:	-40°C to +70°C
Enclosure Flammability Rating:	UL 94-HB
Impact resistance:	IK 08
Product Safety & Environmental:	Complies with CE and RoHS standards

Antenna Performance Plots

VSWR



GAIN



Voltage Standing Wave Ratio (VSWR)

VSWR is a measure of how efficiently radio-frequency power is transmitted from a power source, through a transmission line, into a load. In an ideal system, 100% of the energy is transmitted which corresponds to a VSWR of 1:1.

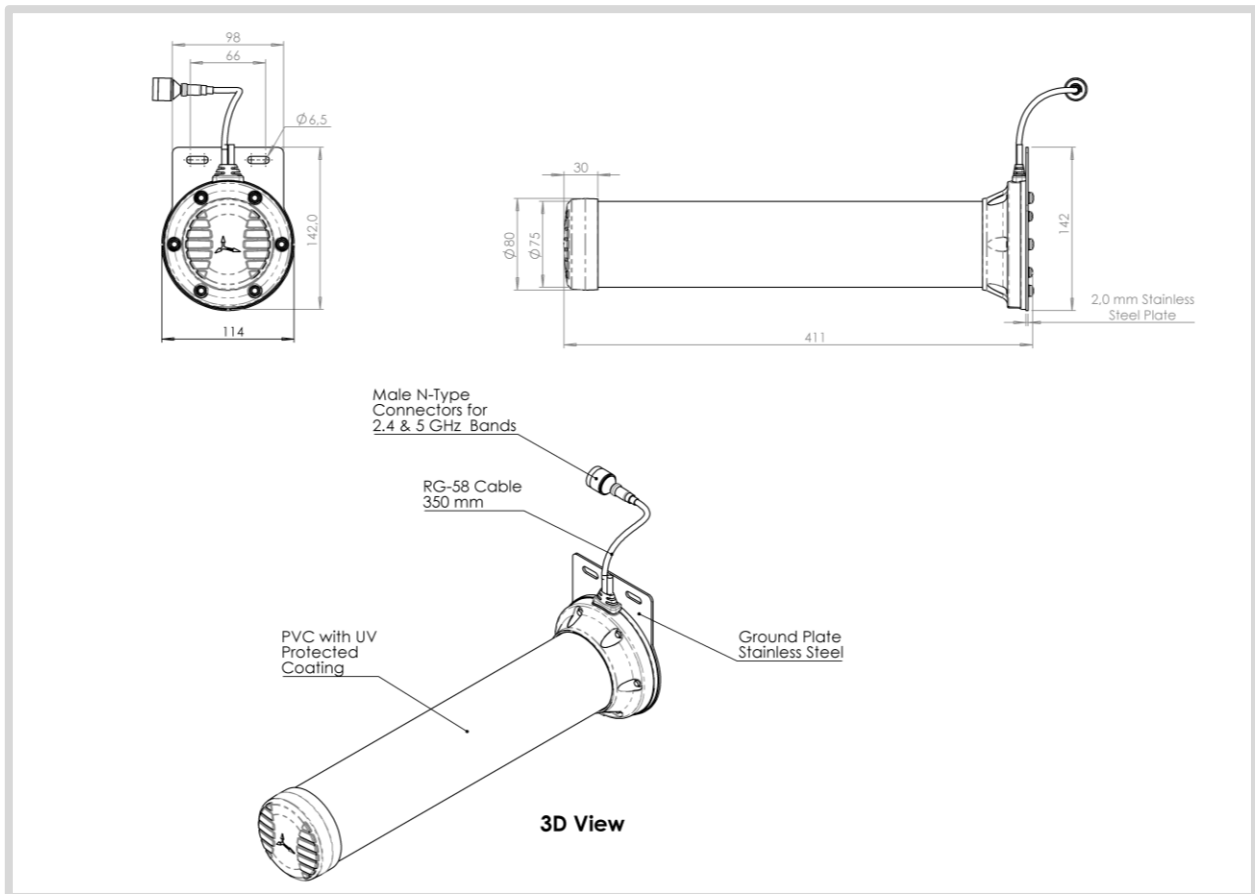
The HELI-31 delivers superior performance across all bands with a VSWR of 1.75:1 or better across 90% of the bands.

Gain* in dBi

9.5 dBi is the peak gain across all bands from 1710 – 7200 MHz.

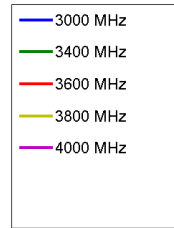
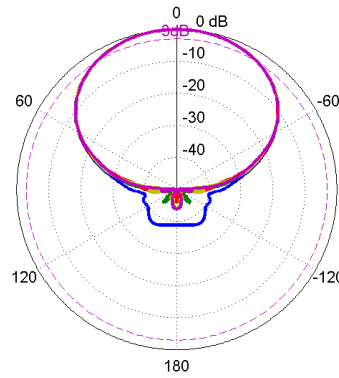
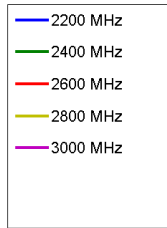
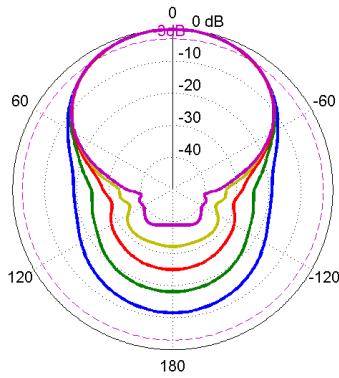
*Antenna gain measured with polarisation aligned standard antenna

Technical Drawings

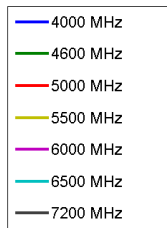
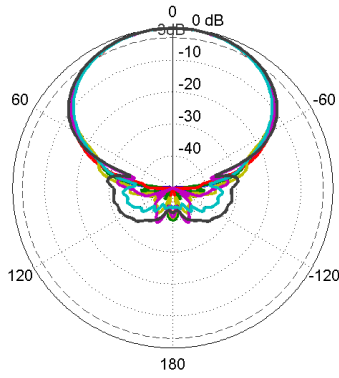


Radiation Patterns

Elevation: 2000 – 3000 Elevation: 3000 – 4000 MHz



Elevation: 4000 – 7200



Mounting Options



Ceiling Mount

Multi directional swivel bracket for mounting 2 x Heli-31 to a ceiling.
This option uses A-BRKT-045-V2-01.



Mounting Rod

Ceiling 20mm rod mounting bracket attachment to use with bracket 45 for holding 2 x Heli-31 right hand circular and left hand circular polarised antennas.

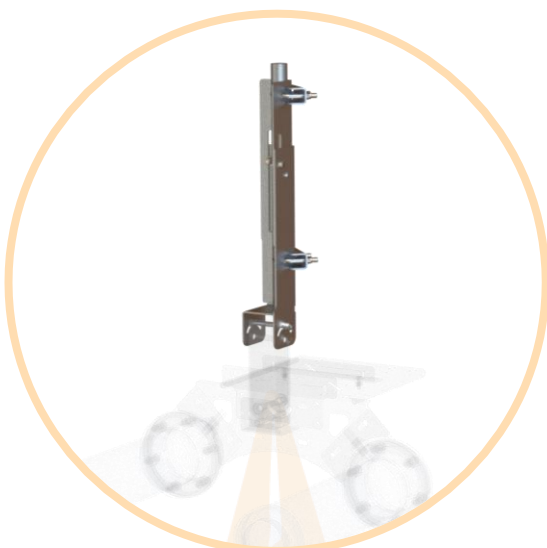
This option uses A-BRKT-047-V2-01.

Additional Accessories



A – BRKT – 045 -V2 - 01

Ceiling mounting bracket for holding 2 x Heli -31 Right hand and Left hand circular polarized antennas.



A – BRKT – 047 -V1 - 01

Ceiling 20mm Rod mounting bracket attachment to use with Bracket 45 for holding 2x Heli -31 Right hand and Left hand circular polarized antennas

Contact Poynting

Poynting Antennas (Pty) Ltd - Head Office

Unit 4, N1 Industrial Park
Landmarks Avenue,
Samrand, 0157
South Africa

Phone: +27 (0) 12 657 0050

E-mail: sales@poynting.co.za

Poynting Europe

Regus Business Center Neue Messe Riem
Kronstadter Straße 4
81677 München
Germany

Phone: +49 89 208026538

E-mail: sales-europe@poynting.tech