

VPS-001-5V-16B-65-0.25BT Compact Pressure Transmitter

Data Sheet

Variant: VPS-5V-16B-65-0.25BT

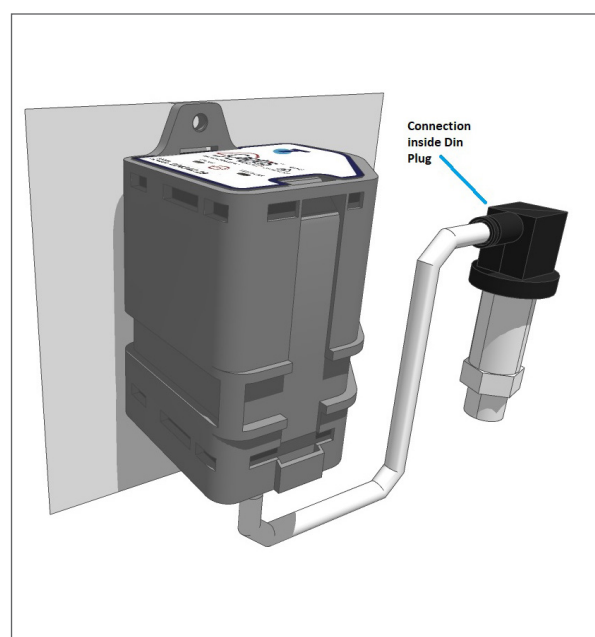
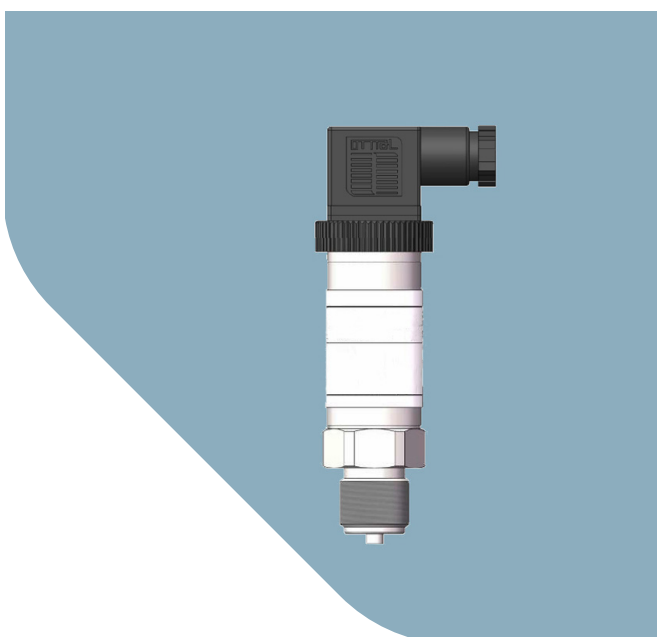
VPS-001 is based on Piezoresistive silicon sensor technologies, combined with a variety of electrical and mechanical connections. These industrial transmitters are suitable for almost all industrial applications.

Features

- Pressure range: 0~16bar
- Output: 5V power, 0.5-2.5VDC output
- Excellent long-term stability
- Small thermal effect
- Super anti-interference ability

Specifications

| | |
|---------------------------------|---|
| Pressure Range | Gauge Pressure 0~16bar |
| Overload Pressure | 1.5 X full scale |
| Accuracy | 0.5%F.S |
| Power Voltage | 5VDC |
| Output Signals | 0.5-2.5VDC |
| Temperature Limits | -25~85C Media |
| Temperature compensation | 0.02%F.S./C |
| Electrical connection | DIN, Terminals, Amphenol 18 pin connector |
| Protection class | IP65 |
| Mechanical connection | 1/4" BSPT male |
| Vibration | 20g, 20-5000Hz |
| Shock | 100g, 11m/s |
| Pressure Port Material | SUS304 S/S |
| Operating Life | >1*10^8 Pressure Cycling |
| Country of Manufacture | China |

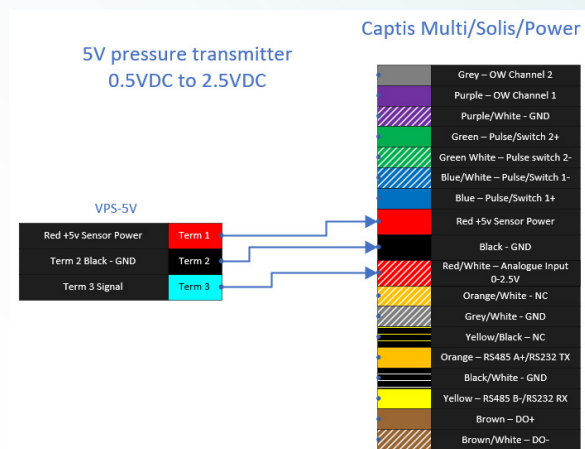


Captis and other accessories included in image for illustration purposes only

Compatible With:
Captis Multi, Captis Power Plus,
Captis Solis.

Additional Equipment:
Adaptor for process if required
3 pole Cable connector

Connection Diagram:



Contact

9 Gray Street
Golden Square VIC 3555 Australia

PO Box 2375
Bendigo DC VIC 3554 Australia

T 13 000 VERGE
E sales@vergesolutions.com.au

vergesolutions.com.au

Optional ranges (Engineering required)

Pressure Range up to 1000Bar
IP Rating up to IP68 (IP 68 has cable - specify length)
Thread: Male or Female, BSP or NPT, Taper or Parrallel, Triclover, BSM
Thread size: 1/4, 3/8, 1/2, 3/4, 1 inch (note thread size is not mm diameter)

Output:
0-2.5V, 0.5 to 2.5VDC, 4-20mA, Pulse, Modbus

Power:
3.3VDC, 5VDC, 12VDC, 24VDC