

VPS-002-5V-16B-65-0.25BT Compact Pressure Transmitter

Data Sheet

Variant: VPS-5V-16B-65-0.25BT

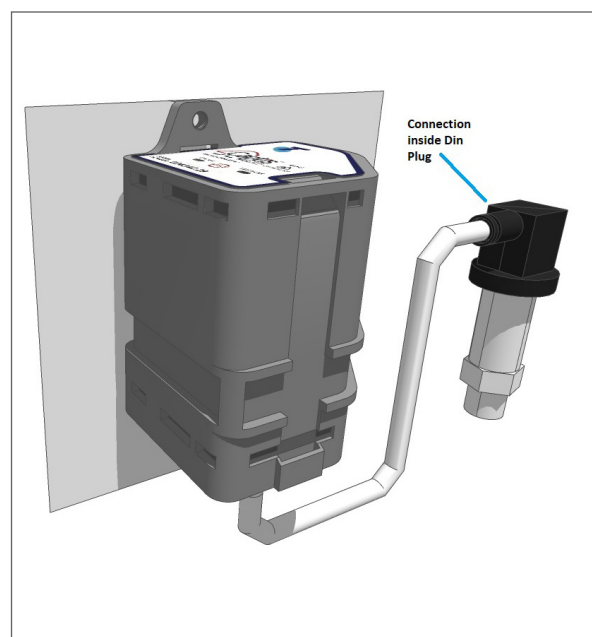
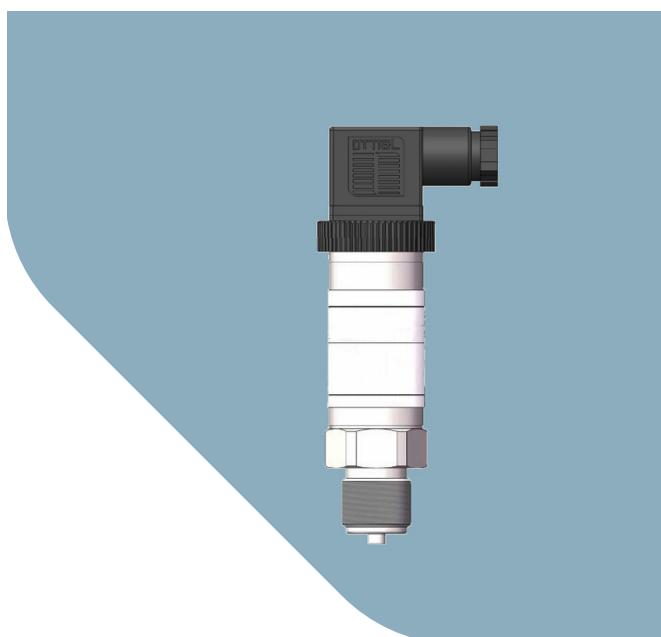
VPS-001 is based on Piezoresistive silicon sensor technologies, combined with a variety of electrical and mechanical connections. These industrial transmitters are suitable for almost all industrial applications.

Features

- Pressure range: 0~16bar
- Output: 5V power, Modbus RTU output
- Excellent long-term stability
- Small thermal effect
- Super anti-interference ability

Specifications

Pressure Range	Gauge Pressure 0~16bar
Overload Pressure	1.5 X full scale
Accuracy	0.5%F.S
Power Voltage	5VDC
Output Signals	Modbus RTU
Temperature Limits	-25~85C Media
Temperature compensation	0.02%F.S./C
Electrical connection	DIN, Terminals, Amphenol 18 pin connector
Protection class	IP65
Mechanical connection	1/4" BSPT male
Vibration	20g, 20-5000Hz
Shock	100g, 11m/s
Pressure Port Material	SUS304 S/S
Operating Life	>1*10^8 Pressure Cycling
Country of Manufacture	China



Captis and other accessories included in image for illustration purposes only

Compatible With:
 Captis Multi, Captis Power Plus,
 Captis Solis.

Additional Equipment:
 Adaptor for process if required
 3 pole Cable connector

Contact

9 Gray Street
 Golden Square VIC 3555 Australia

PO Box 2375
 Bendigo DC VIC 3554 Australia

T 13 000 VERGE
 E sales@vergesolutions.com.au

vergesolutions.com.au

