

VSR-001 Optical Solar Radiation Sensor

Data Sheet

The simple total radiation sensor (transmitter) is used to measure the total solar radiation.

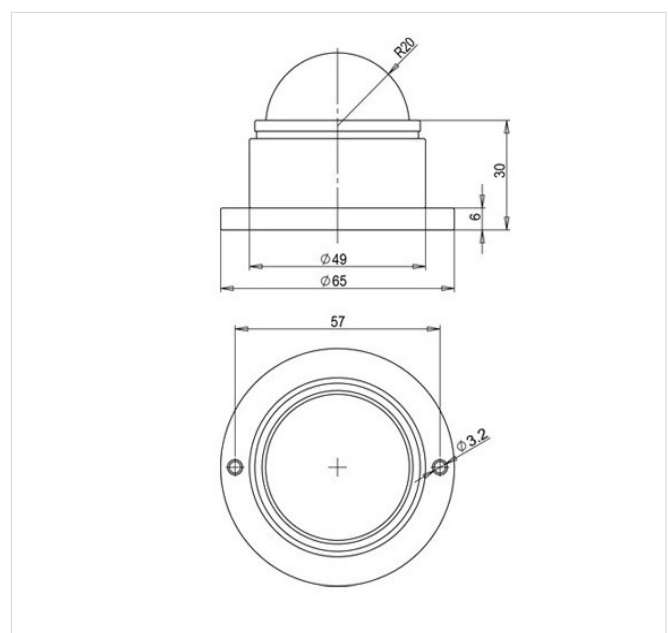
The core component of the radiation sensor is a high-precision photosensitive element with good stability and high precision.

At the same time, a quartz glass cover made of precision optical cold working is installed outside the sensing element, which effectively prevents the influence of environmental factors on its performance.

This product can be widely used in meteorology, energy, agriculture, construction and other fields.

Specifications

Spectral Range	300~3000nm
Material	Aluminum Alloy
Measuring Range	0~1500 W/m ²
output	0-5V,4-20mA,RS485C
Resolution	1W/m ²
Response Time	<5s
Accuracy	±3W/m ²
Temperature effect	±0.08%/C
Sensitive	7~14μV/W•m ⁻²
Cosine response	≤10% (Solar elevation angle 10° on a sunny day)
Working temperature	-40C~+50C
Working humidity	0~100%RH
Size	65*56mm



Contact

244 Woodward Rd
Golden Square VIC 3555 Australia

PO Box 2375
Bendigo DC VIC 3554 Australia

T 13 000 VERGE
E sales@vergesolutions.com.au

vergesolutions.com.au