

## VFT-IM01 Verge Insertion Pulse Flow Meter

### Data Sheet

If water flows are concerning you and costing you money that cant manage then the Verge Insertion Pulse Flow Meter is for you. Finally, an easy to install passive insertion flow meter that is low profile, high pressure capable and can connect to any of the Telstra Captis range.

Connections can be made to a pipe via welding or saddle and in no time the data will join the fluid and start flowing.

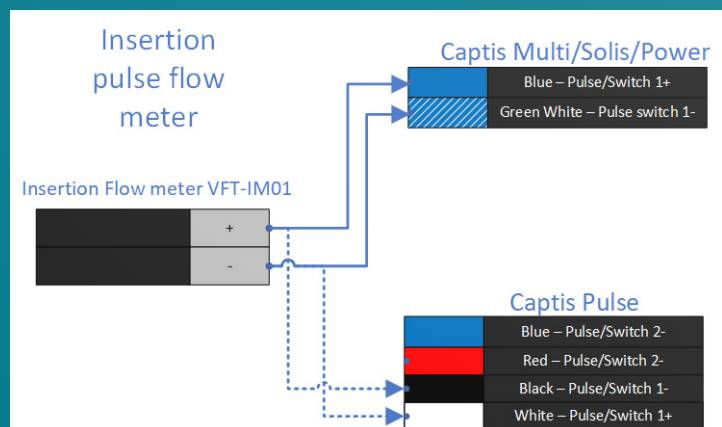
Very low power in terms of both the voltage needed and standby current, the Verge Pulse flow meter will have very little impact on the attached monitoring equipment battery life.

Now there is no more reason to not be "in the know" about any flows that are occurring anywhere within your property of field of expertise.

### Specifications

<b>Flow range</b>	0.5 - 2.5m/s
<b>Accuracy</b>	± 2.5% for 0.5 to 8.5 m/s, ±1% for 0.7 to 7.0 m/s,
<b>IP rating</b>	IP67
<b>Pressure rating</b>	6 Bar
<b>Temperature rating</b>	80 DegC Fluid
<b>Repeatability</b>	+ - 0.6%
<b>Cable connection</b>	Gland
<b>Output</b>	Pulse
<b>Country of Manufacture</b>	Australia





## Contact

9 Gray Street  
Golden Square VIC 3555 Australia

PO Box 2375  
Bendigo DC VIC 3554 Australia

T 13 000 VERGE  
E [sales@vergesolutions.com.au](mailto:sales@vergesolutions.com.au)

[vergesolutions.com.au](http://vergesolutions.com.au)